

Use and maintenance instructions

TURBO IMMAGINARIO T108-90SS & T120P-90SS CHIMNEY HOOD



CE

INDEX

1 - USER INSTRUCTIONS	PAGE 3
1.1 CONTROL PANEL AND MECHANICAL PUSH BUTTON PANEL	PAGE 3
1.2 ELECTRONIC CONTROL PANEL	PAGE 3
1.3 ELECTRONIC CONTROL PANEL RECTANGULAR BUTTONS	PAGE 4
1.4 SAFETY	PAGE 4
1.5 CLEANING	PAGE 4
2 - MAINTENANCE INSTRUCTIONS	PAGE 5
2.1 WARNINGS	PAGE 5
2.2 ANTI-GREASE FILTERS	PAGE 5
2.3 CARBON FILTERS	PAGE 5
2.4 LIGHTING	PAGE 6
2.5 STAINLESS STEEL PANELS	PAGE 6
3 - INSTALLING INSTRUCTIONS	PAGE 7
3.1 GENERAL	PAGE 7
3.2 SAFETY	PAGE 7
3.3 COMPONENTS	PAGE 9
3.4 INSTALLATION	PAGE 9
4 - CONSTRUCTION AND TECHNICAL SPECIFICATIONS	PAGE 11
4.1 TECHNICAL CHARACTERISTICS	PAGE 11
4.2 GENERAL CHARACTERISTICS	PAGE 11

**DISPOSAL OF OLD ELECTRICAL
APPLIANCES**

The European Directive 2002/96/EC on Waste electrical and Electronic Equipment (WEEE), requires that old household electrical appliances must not be disposed off in the normal unsorted municipal waste stream. Old appliances must be collected separately. In order to optimise the recovery and recycling of the materials they contain and reduce the impact on human health and the environment. The crossed out "wheeled bin symbol on the product reminds you of your obligation, that when you dispose off the appliance it must be separately collected. Consumers should contact their local authority or retailer for information concerning the correct disposal of their old appliance.

1 - USER INSTRUCTIONS

1.1 - CONTROL PANEL AND MECHANICAL PUSH BUTTON PANEL (FIG A)

- A - Light push button
- B - Aspiration 1st speed push button (minimum)
- C - Aspiration 2nd speed push button (medium)
- D - Aspiration 3rd speed push button (maximum)
- E - Aspiration on/off push button
- F - intake Warning light

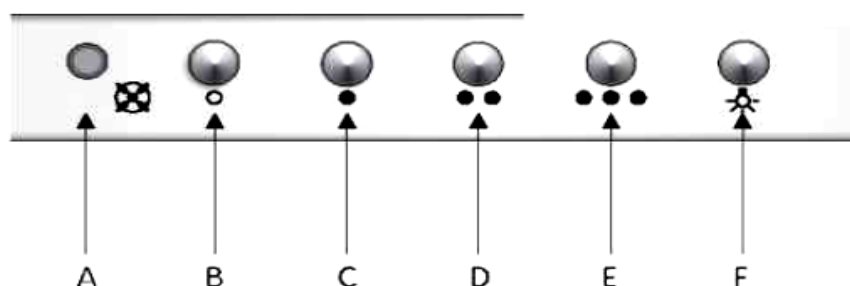


Fig. A

1.2 - ELECTRONIC CONTROL PANEL (FIG B)

- A - 5 minute timer
- B - Aspiration 3rd speed push button
- C - Aspiration 2nd speed push button
- D - Aspiration 1st speed push button - ON/OFF
- E - Intake Warning light

Aluminium filter saturation :

After 40 hours of operation the warning light flashes. That means that the aluminium anti-grease filters must be cleaned. To reset the filter saturation indications : press push button "A" for 4 seconds, while the hood is off. When all the warning lights turn on, the hood is resetted.

1.3 - ELECTRONIC CONTROL PANEL - RECTANGULAR BUTTONS (FIG C)

- A - Engine ON/OFF
- B - Reduce suction speed
- C - Display
- D - INcrease suction speed
- E - Light ON/OFF

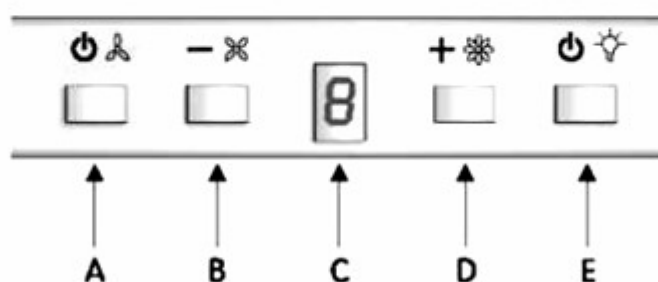


Fig. C

1.4 - SAFETY

- A - Constantly check oil overheating while using the deep fryer in order to prevent it from catching fire.
- B - Before carrying out any cleaning peration disconnect the appliance by unplugging it or by switching off the circuit breaker.
- C - In the case in which the hood and other apparatuses tht emit fumes are being used in the room, do switch on the hood.
- D - Do not leave the cooker on if it is not being used.
- E - The hood is designed to remove the kitchen smells, any other additional use shall be regarded as non-intentioned.
- F - It is advisable to turn on the hood before cooking and leave it on for approx. 15 minutes after or at until the smell it completely removed.

1.5 - CLEANING

- Use only a damp cloth wiht neutral liquid detergent.
- Do not use wet sponges or cloths, water jets, thinners, solvents, alcohol or abrasive substances.

2 - MAINTENANCE

2.1 - WARNING

- Unplug the appliance or switch off the circuit breaker before carrying out maintenance operations.

2.2 - METALLIC ANTI-GREASE FILTERS

- The 3 filters must be washed at least once a month with hot water and detergent.
- It can also be washed in the dishwasher.
- Open by means of the handle (Fig. 1).

2.3 - ACTIVATED CARBON FILTERS (Only filtering types) (sold aside)

- The filter cannot be regenerated it they must be replaced at least once every 2 months.
- Insert the filter into its seat situated on the rear part of the hood.

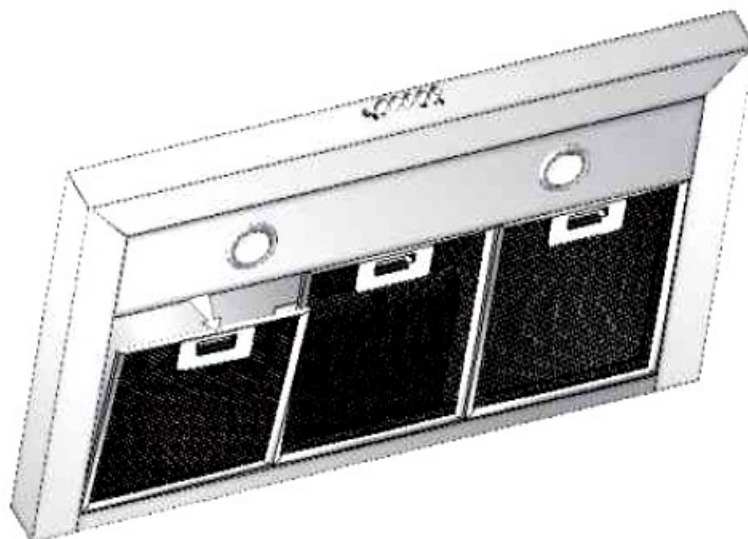


Fig. 1

2.4 - LIGHTING

- To replace the 2 lamps remove the anti-grease filters in order to reach the lamp holder and unscrew the lamp or lamps (Fig3A)
- Replace the lamp with one that has the same features (40w E14) because one with more power may cause severe damage to the electrical system.

HALOGEN LIGHTING 1

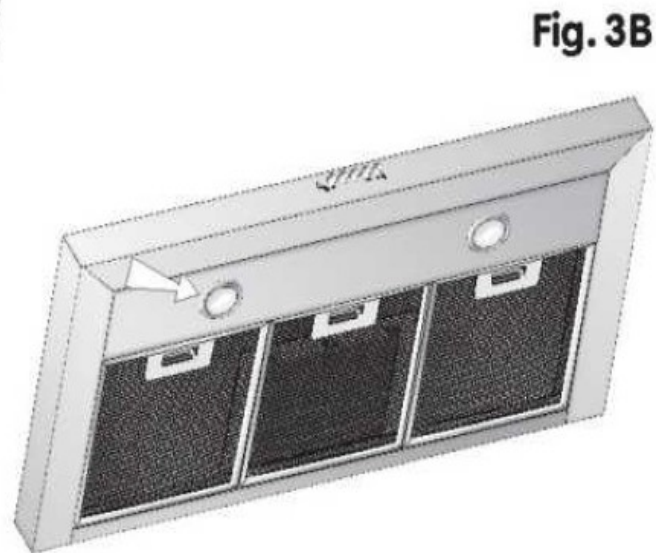
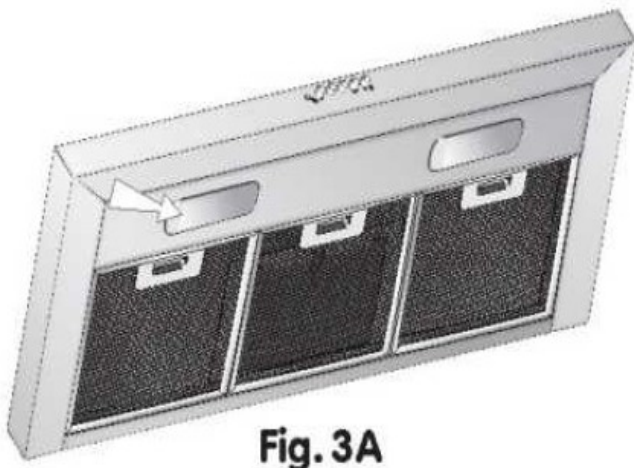
- turn the glass and the light unit flange in an anticlockwise direction. (Fig 3B)

HALOGEN LIGHTING 2

- remove the glass raising it with a screwdriver (Fig 3C)
- Replace the lamp with one that has the same features (20W Max) because one with more power can cause severe damage to the electrical system.

2.5 - STAINLESS STEEL PANEL (only for versions where envisioned)

- To wash the stainless steel panel, unscrew the screws and use a non-aggressive detergent (Fig 4)



3 - INSTALLING INSTRUCTIONS

3.1 - GENERAL INFORMATION

This hood is designed to be installed above a cook top. It can be used on the ASPIRATING types (external exhaust), or on the FILTERING types (internal recycling). We suggest to have installation carried out by qualified personnel, in compliance with all the current regulations and in particular with the ones concerning air exhaust. The manufacturer cannot be held liable for damages caused by improper installation or if it has not been carried out according to the state-of-art.

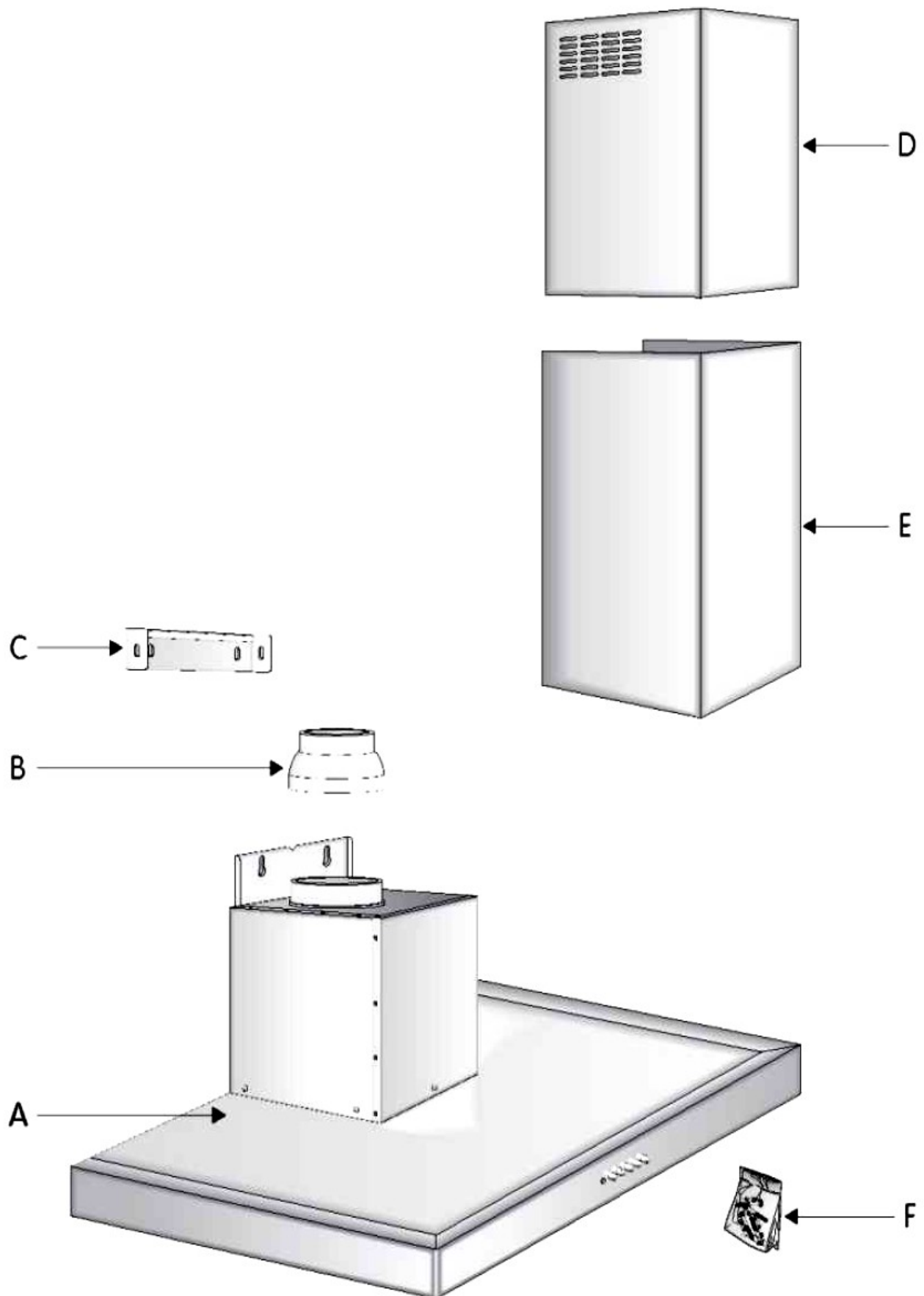
3.2 - SAFETY

- A - Do not connect the appliance discharge to exhaust ducts of smokes produced by combustion that is not supplied by electrical power.
- B - The minimum safety distance between the cooktop counter and the hood is 65cm.
- C - In the case in which both the hood and apparatuses emit fumes, do not switch on the hood. A sufficient aeration of the setting needs to be created. Proper use without risks is obtained when the maximum depression of the room does not exceed 4 Pa (4 x 10 bar).

3.3 - COMPONENTS

- A - Complete hood casing
- B - Reduction fitting dia. 150/120
- C - Upper stack wall clamp
- D - Upper telescopic stack
- E - Lower telescopic stack
- F - Bag with accessories and screws

COMPONENTS



3.4 - INSTALLATION

A - HOW TO POSITION THE HOOD

- Mount the 120/150 reduction fitting whenever the air discharge tube is ϕ 125 (Fig 4)
- Hang the hood case firmly to the wall using the M5 x 40 screws included in the supply and remember that the cook top must be at least 65cm far from the lower side of the hood (Fig 5 -6)

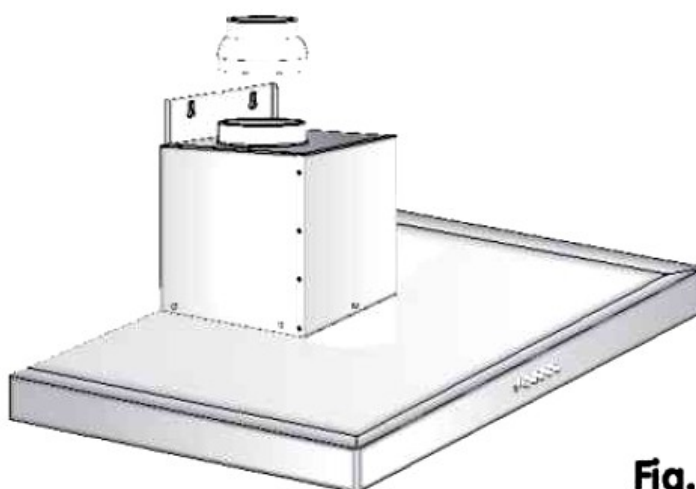


Fig. 4

B - HOW TO ASSEMBLE THE OUTDOOR SCAVENGING PIPE (Fig 7) (Only for aspirating types)

- Preferably use a ϕ 150 or ϕ 125 tube, or possibly flexible, and fix it with a hose clamp to the reduction fitting.
- Connect the scavenging pipe to the outdoor duct and fix it with a pipe tightening ring.
- Do not assemble the active carbon filters.

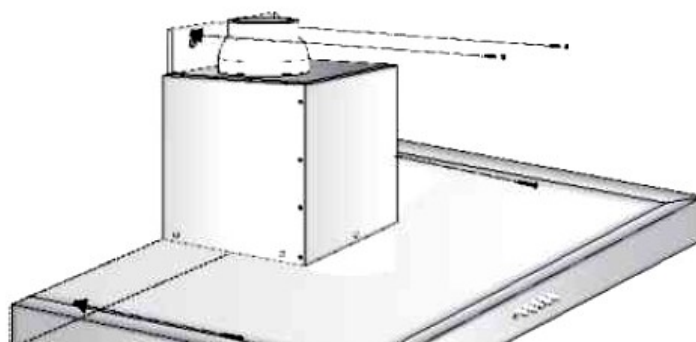
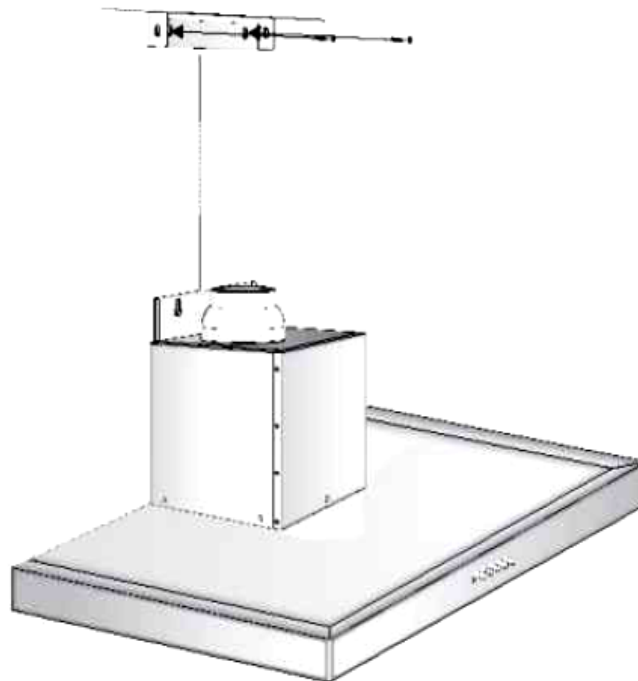


Fig. 6

C - HOW TO POSITION THE UPPER STACK WALL CLAMP (Fig 8) (Only for aspirating types)

- Fix the upper fireplace anchoring rod at the height desired, using the M5 x 40 screws.

**Fig. 8****D - HOW TO CONNECT TO THE ELECTRICAL MAIN**

Check to see that the main voltage complies with the one required by the hood, which is indicated on the tag that is stuck on the internal side of the appliance.

Assemble a suitable plug on the wire or insert a proper power 2 pole switch if it is to be directly connected to the main with a 3mm minimum opening between contacts between the main and the appliance. All the above -mentioned must comply with the current standards. The yellow/green earthing cable must not be interrupted.

E - OPERATING CHECKS

Check lights and motor start up in the several speeds.

F - HOW TO POSITION THE STACKS

- Slide the upper telescopic stack inside the lower telescopic stack (Fig 10)
- Position the lower telescopic stack on the hood case
- Raise the upper telescopic stack and fix it with the M3.9 x9.5 screws included in the supply (Fig 11)



Fig. 10

4 - CONSTRUCTION AND TECHNICAL SPECIFICATIONS

4.1 - CONSTRUCTION CHARACTERISTICS

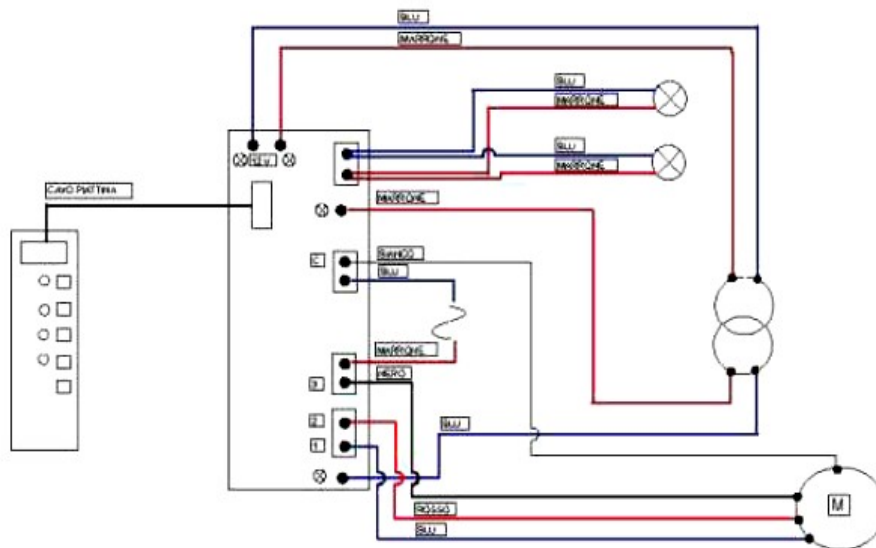
- Stainless steel sheet body Sp. 6/10
- Telescopic stack in various dimensions
- Steel bearing body painted with black & white.

4.2 - GENERAL CHARACTERISTICS

- Electrical system according to the international regulations
- 3 operating speeds
- Activated carbon filter with high depurating qualities (filtering types) (sold aside)

- Cooking counter lighting system
- Reference standards according to the E.M.C. 89/336 : EN55014, EN60555-2 Directives
- Reference standards according to the L.V.D. 73/23, with INT. 93/68 : EN60335-1, EN60335-2-31 Directives

HALOGEN LAMPS ELECTRONIC COMMANDS WIRING DIAGRAM



HALOGEN LAMPS ELECTRONIC COMMANDS RECTANGULAR BUTTONS WIRING DIAGRAM

