

Use and maintenance instructions

TURBO IMMAGINARIO T1060IS & T108IS ISLAND HOOD



CE

GE-A12

INDEX

1 - USER INSTRUCTIONS	PAGE 2
1.1 CONTROL PANEL AND MECHANICAL PUSH BUTTON PANEL	PAGE 2
1.2 ELECTRONIC CONTROL PANEL	PAGE 2
1.3 ELECTRONIC CONTROL PANEL - RECTANGULAR BUTTONS	PAGE 3
1.4 SAFETY	PAGE 3
1.5 CLEANING	PAGE 3
2 - MAINTENANCE INSTRUCTIONS	PAGE 4
2.1 WARNINGS	PAGE 4
2.2 ANTI-GREASE FILTERS	PAGE 4
2.3 CARBON FILTERS	PAGE 4
2.4 LIGHTING	PAGE 5
3 - INSTALLING INSTRUCTION	PAGE 6
3.1 GENERAL	PAGE 6
3.2 SAFETY	PAGE 6
3.3 COMPONENTS	PAGE 6
3.4 INSTALLATION	PAGE 8
4 - COSTURCTION AND TECHNICAL	PAGE 11
4.1 TECHNICAL CHARACTERISTICS	PAGE 11
4.2 GENERAL CHARACTERISTS	PAGE 11

1 - User Instructions

1.1 Control Panel And Mechanical Push Button Panel (Fig. A)

- A - Light Push Button
- B - Aspiration on/off push button
- C - Aspiration 1st speed push button (minimum)
- D - Aspiration 2nd speed push button (medium)
- E - Aspiration 3rd speed push button (maximum)
- F - Intake Warning light

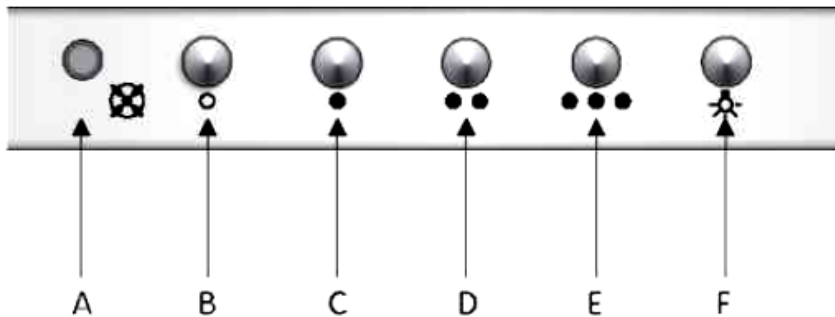


Fig. A

1.2 ELECTRONIC CONTROL PANEL (FIG B)

- A - 5 minute timer
- B - Aspiration 3rd speed push button
- C - Aspiration 2nd speed push button
- D - Aspiration 1st speed push button - ON/OFF
- E - Intake Warning light

Aluminium filter saturation :

After 40 hours of operation the warning light flashes. That means the aluminium anti-grease filters must be clean. To reset the filter saturation indication : press push button "A" for 4 seconds, while the hood is off. When all the warning lights turn on, the hood is reset.

1.3 ELECTRONIC CONTROL PANEL - RECTANGULAR BUTTONS (FIG. C)

- A - Engine ON/OFF
- B - Reduce suction speed
- C - Display
- D - Increase suction speed
- E - Light ON/OFF

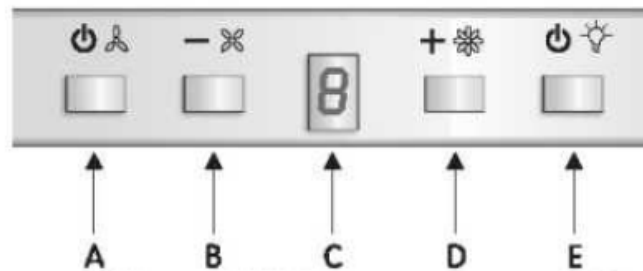


Fig C

1.4 - SAFETY

- A - Do not cook at the flame under the hood.
- B - Constantly check oil overheating while using the deep fryer in order to prevent it from catching fire.
- C - Before carrying out any cleaning operation disconnect the appliance by unplugging it or by switching off the circuit breaker.
- D - In the case in which the hood and other apparatuses that emit fumes are being used in the room, do not switch on the hood. The room needs to be aerated.
- E - don not leave the cooker hood on if it is not being used.
- F - The hood has been designed to remove the kitchen smells; any other additional use shall be regarded as non-intended.
- G - It is advisable to turn on the hood a bit before starting to cook and leave it on for approx. 15 minutes after or at least until the smell is completely removed.

1.5 - CLEANING

- Use only a damp cloth with neutral liquid detergent
- Do not use wet sponges or cloths, water jets, thinners, solvents, alcohol or abrasive substances.

2 - MAINTENANCE

2.1 - WARNING

Unplug the appliance or switch off the circuit breaker before carrying out maintenance operations.

2.2 - METALLIC ANTI-GREASE FILTERS

- The filters must be washed at least once a month with hot water and detergent.
- It can also be washed in the dishwasher.
- Open by means of the handle (Fig.1)

2.3 - ACTIVATED CARBON FILTERS (Only Filtering types) sold aside

- The filter cannot be regenerated it they must be replaced at least once every two months.
- Position the filter so that it corresponds with the box motor at the relative holes and mount the two brackets to fix the filter, using the screws supplied.



Fig. 1

2.4 - LIGHTING

- To replace the 4 lamps remove the anti-grease filters in order to reach the lamp holder and unscrew the lamps or lamps (Fig 3A).
- Replace the lamp with one that has the same features (40w E14) because one with more power may cause severe damage to the electrical system.

HALOGEN LIGHTING

How to replace the bulbs ?

- Remove the glass cover with a screw driver (Fig 3B)
- take out the bulb and replace it with one that has the same characteristics, because a more powerful one may damage the electrical system.



Fig. 3A

3 - INSTALLING INSTRUCTIONS

3.1 - GENERAL INFORMATION

This hood is meant to be installed over a cooker top in a peninsula or Island position. The hood can be fixed to the ceiling or to other supporting structure by means of a trestle that can be adjusted in height.

It can be used on the aspirating types (external exhaust), or on the filtering types (internal recycling).

We suggest the installation to be done by qualified personnel, in compliance with all the current regulations and in particular with the ones concerning air exhaust. The manufacturer cannot be held liable for damages caused by improper installation or if it has not been carried out according to the state-of-the-art.

3.2 - SAFETY

A - Do not connect the appliance discharge to exhaust ducts of smokes produced by combustion that is not supplied by electrical power.

B - The minimum safety distance between the cooking counter and the hood is 65cm.

C - In the case in which both the hood and apparatuses emit fumes, do not switch on hood. A sufficient aeration of the setting needs to be created. Proper use without risks is obtained when the maximum depression of the room does not exceed 4 Pa (4x10bar).

3.3 - COMPONENTS

A - Complete hood casing

B - Lower telescopic trestle

C - Upper telescopic trestle

D - Upper panel

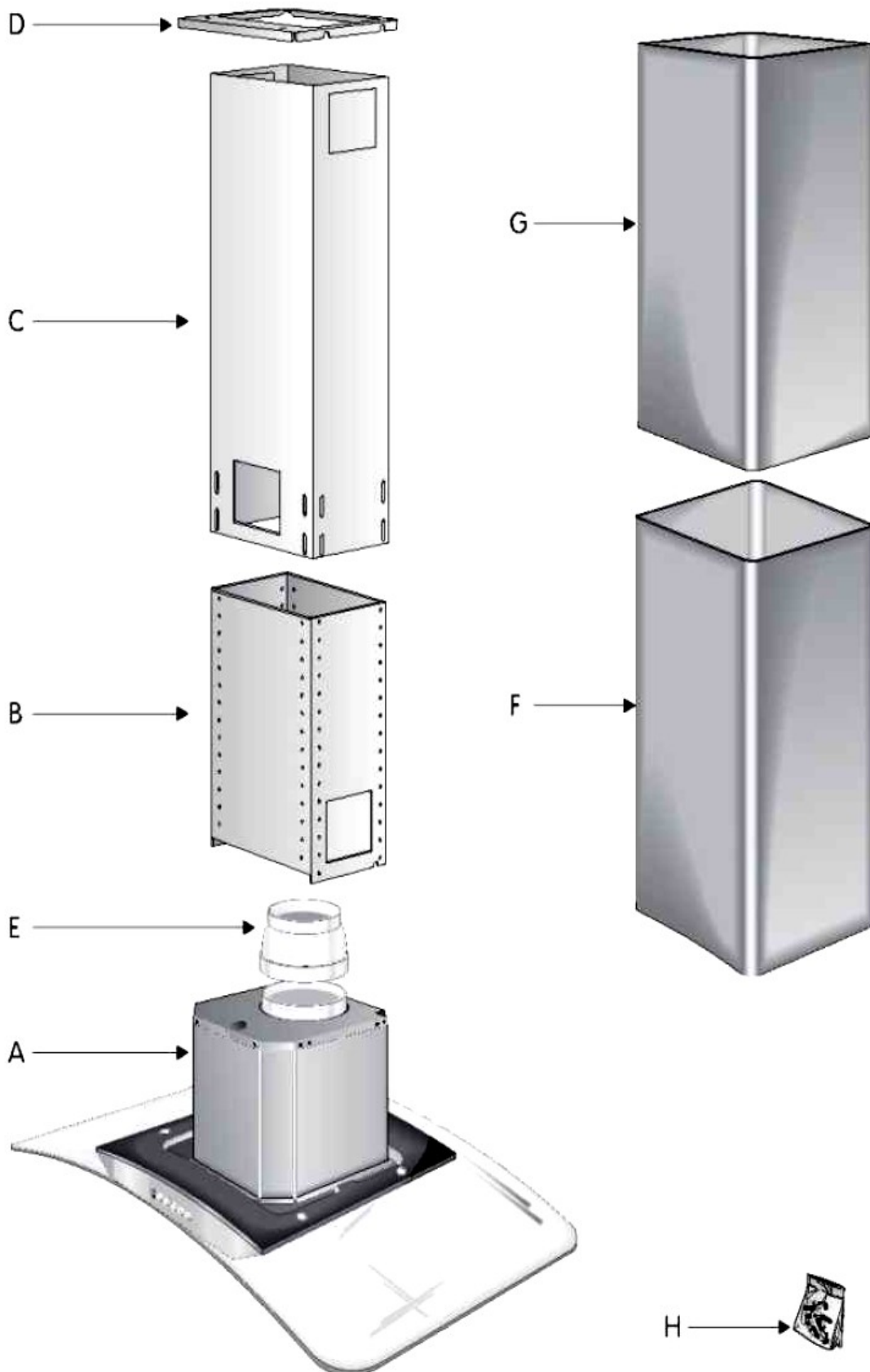
E - Reduction fitting dia. 120/150

F - Lower telescopic stack

G - Upper telescopic stack

H - Bag with accessories and screws

COMPONENTS



3.4 - INSTALLATION

A - ANCHORAGE OF THE UPPER PANEL TO THE CEILING (Fig 4)

- Fix the upper panel to the ceiling well using M5 x40 screws and the 8 x 40 plugs.

B - COUPLING OF THE UPPER FRAMEWORK TO THE PANEL (Fig 5)

- Fix the upper telescopic framework to the upper panel using the screws supplied.

C - HOW TO COUPLE THE LOWER TELESCOPIC TRESTLE WITH THE UPPER ONE

- Slide the lower telescopic trestle into the upper one that is to be already fixed to the ceiling.

- Adjust the height so that the lower part of the hood, which is to be assembled afterwards, arranged at least 65cm from the cook top (fig 6)

- couple the 2 trestles by means of the screws included in the supply (fig 7)

Fig. 4

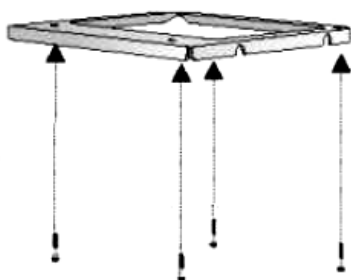
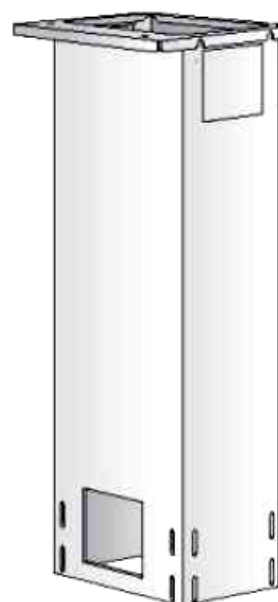


Fig. 5



D - HOW TO ASSEMBLE TO OUTDOOR SCAVENGING PIPE (Only for aspirating type)

- Preferably use a \varnothing 150 or \varnothing 125 tube, or possibly flexible, and fix it with a hose clamp to the reduction fitting.
- Connect the scavenging pipe to the outdoor duct and fix it with a pipe tightening ring.
- Do not assemble the active carbon filters.

E - HOW TO ASSEMBLE THE UPPER TELESCOPIC STACK (Fig 8)

- Slide the telescopic on the trestle fixed to the ceiling.
- Fix the stack to the trestle by means of the 2 screws included in the supply
- Slide the lower telescopic stack on the upper one and position it as high as possible then fix it with adhesive tape.

**Fig. 8**

F- HOW TO ASSEMBLE THE CASING OF THE HOOD (FIG 9)

- Assemble the 120/150 reduction fitting.
- Fix the lower trestle to the casing of the hood by means of the screws included in the supply.
- Connect the exhaust flexible pipe to the reduction fitting and fix it with the pipe-tightening ring.

G - HOW TO CONNECT TO THE ELECTRICAL MAIN :

Check to see that the main voltage complies with the one required by the hood, which is indicated on the tag that is applied on the internal side on the appliance.

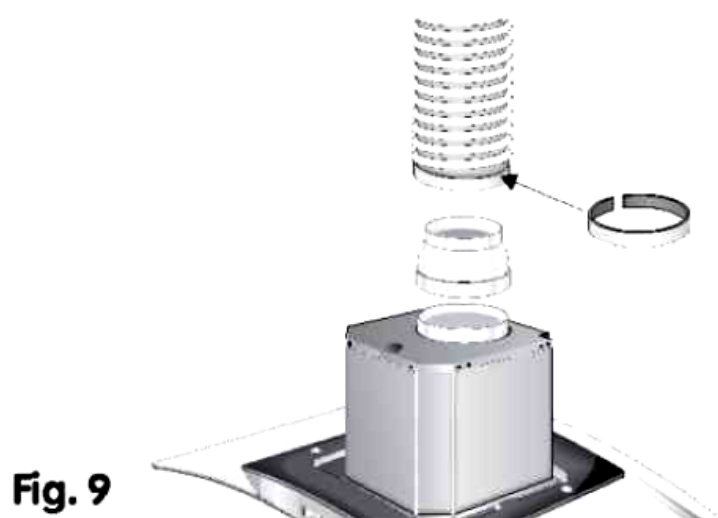
Assemble a suitable plug on the wire or insert a proper power two-pole switch if it is to be directly connected to the main with a 3mm minimum opening between contacts between the main and the appliance. All the above-mentioned electrical parts must comply with the current standards. The yellow/green earthing cable must not be interrupted.

H - OPERATING CHECKS :

Check lights and motor start-up in the several speeds.

I - HOW TO POSITION THE LOWER TELESCOPIC STACK

Lower the lower telescopic stack slowly and arrange it in the proper housing in the upper part of hood casing.

**Fig. 9**

4 - CONSTRUCTION AND TECHNICAL SPECIFICATIONS

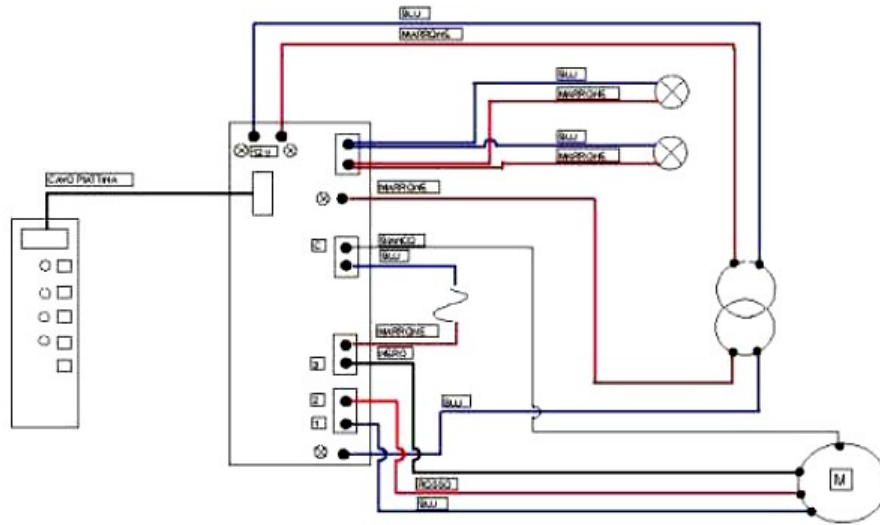
4.1 - CONSTRUCTION CHARACTERISTICS

- Stainless steel sheet body sp. 6/10
- Telescopic stack in various dimensions
- tempered crystal glass Sp. 6/10

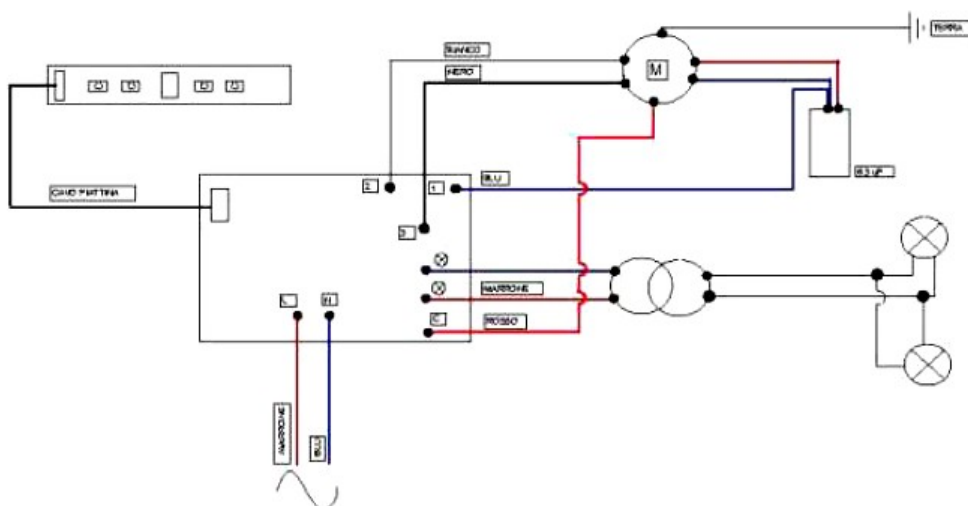
4.2 - GENERAL CHARACTERISTICS

- Electrical system according to the international regulations
- 3 Operating speeds
- Activated carbon filter with high depurating qualities (filterign types) (sold aside)
- Cooking counter lights system
- Reference standards according to the E.M.C. 89/336: EN55014, En60555-2 Directives
- Reference standards according to the L.V.D. 73/23, with INT. 93/68: EN60335-2-31 Directives

HALOGEN LAMPS ELECTRONIC COMMANDS WIRING DIAGRAM



HALOGEN LAMPS ELECTRONIC COMMANDS RECTANGULAR BUTTONS WIRING DIAGRAM



HALOGEN LAMPS PUSH BUTTON COMMANDS WIRING DIAGRAM

