

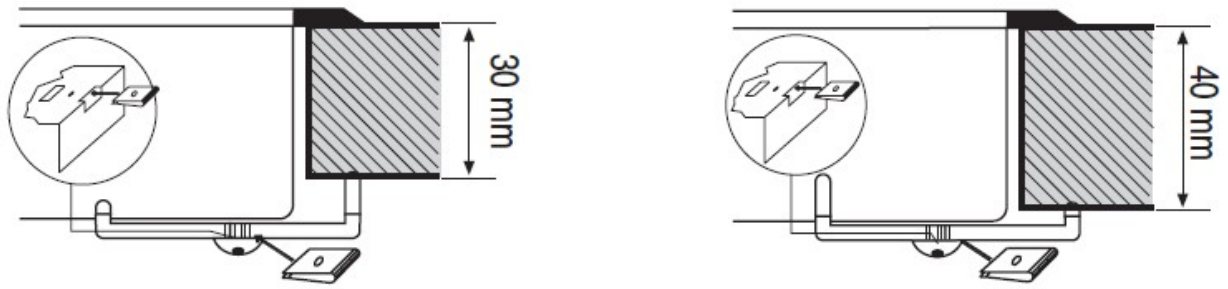
---

# TURBO IMMAGINARIO T90EOSS CERAMIC HOB INSTRUCTION MANUAL

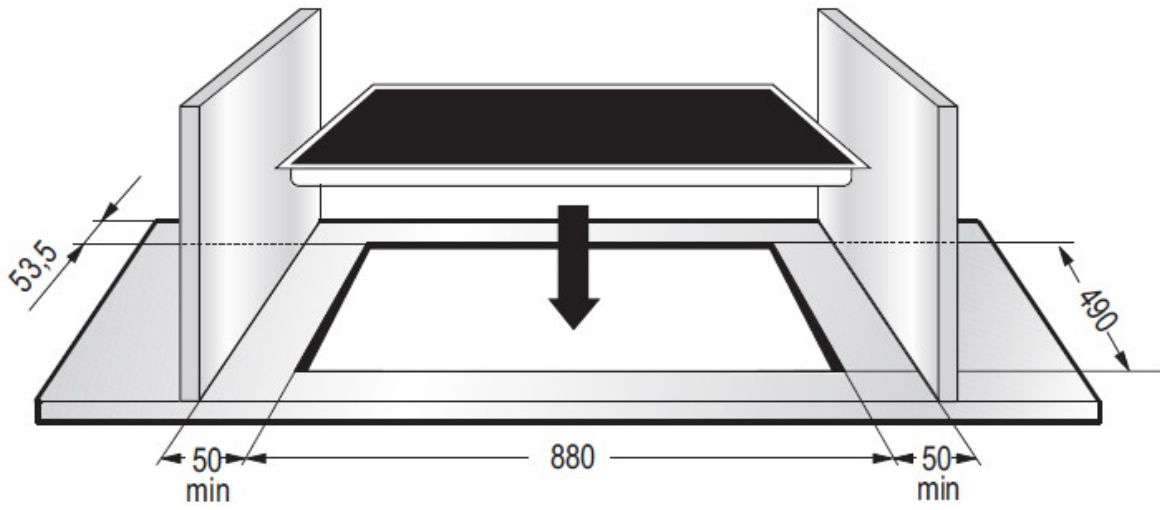
- I** PIANO VETROCERAMICA - Istruzioni per l'uso
- D** ELEKTRO-GLASKERAMIKMULDE - Gebrauchsanweisung
- E** PLANO DE VIDRO DE CERAMICA - Manual de utilización
- F** TABLE VETROCERAMIQUE- Notice d'utilisation
- GB** VITROCERAMIC HOB - User instructions
- NL** GLASCERAMIEL PLAAT - Gebruiksaanwijzing
- P** PLANOVITRO-CERÂMICO - Manual do usuário

Fig.1

**A**



**B**



**C**

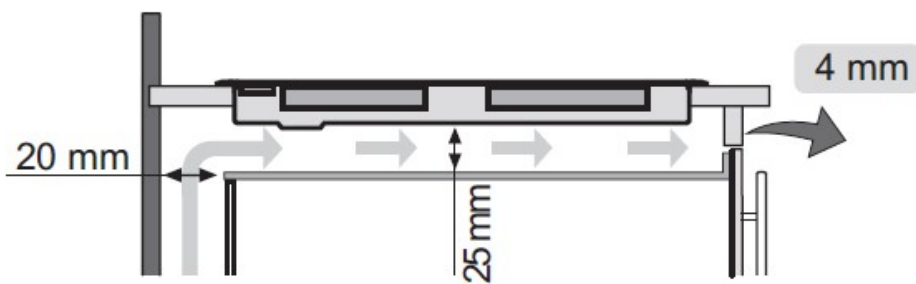


Fig.2

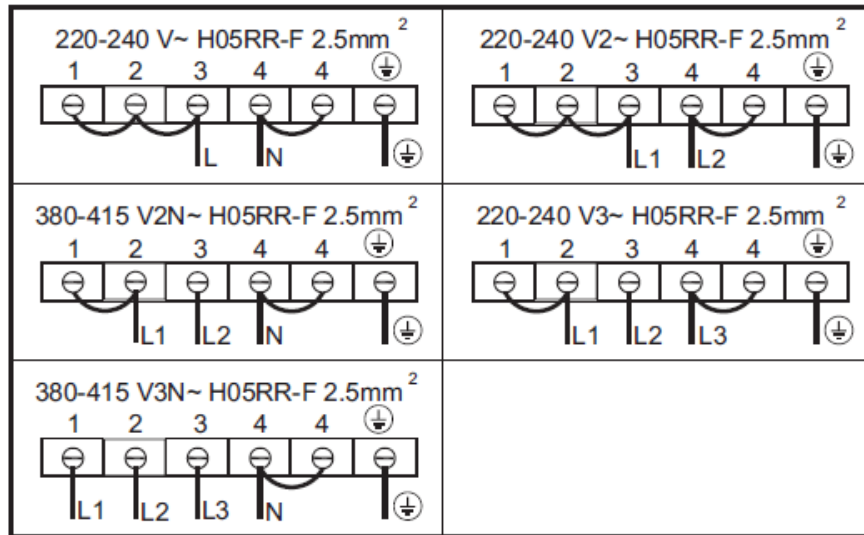


Fig.3



Fig.4

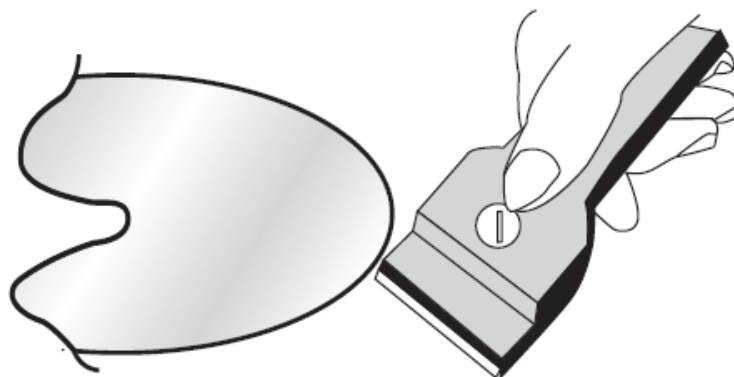
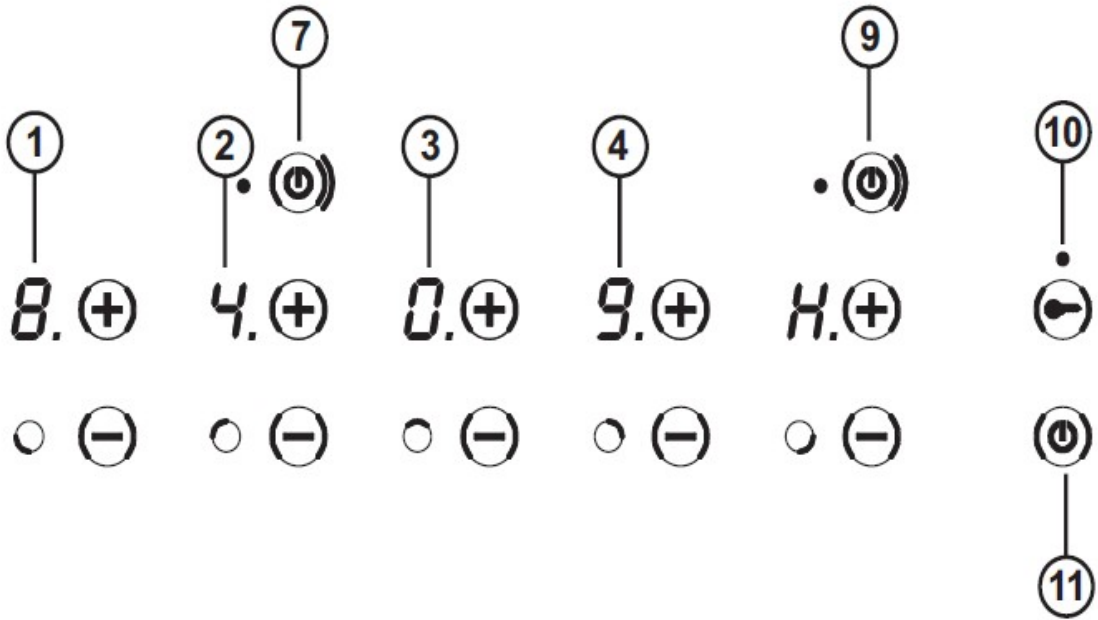
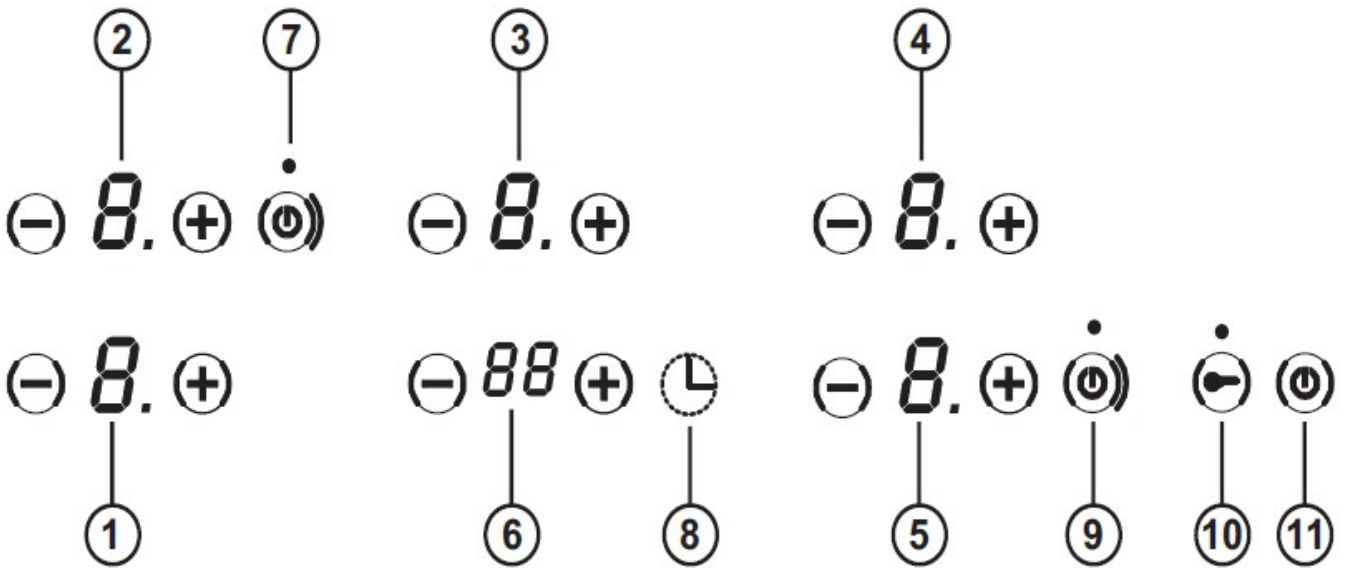


Fig.5



Timer





## GENERAL

Carefully read the contents of this leaflet since it provides important instructions regarding safety of installation, use and maintenance. Keep the leaflet for possible future consultation. All the operations relating to installation (electrical connections) must be carried out by specialised personnel in conformity with the regulations in force.

## SAFETY WARNINGS

It is recommended to use flat-bottom pans with a diameter equal to or slightly larger than that of the heated area. Do not use pans with a rough base to prevent scratching the heat surface of the cooktop (Fig.3). This appliance is not suitable for use by children or persons requiring supervision. Do not let children play with the appliance.

### Before connecting the appliance to the electricity supply:

- Check that the voltage and power values listed on the data plate (positioned on the lower part of the appliance) are compatible with the electricity supply and socket. If you have any doubts, please consult a qualified electrician for assistance.

### IMPORTANT

- Avoid spilling liquid, therefore to boil or heat liquids, reduce the heat
- Do not leave the heating elements on with empty pots and pans or without receptacles.
- When you have finished cooking, switch off the relevant heating element with the control indicated below.

### ATTENTION: Steam cleaners must not be used.

**WARNING: If the surface is cracked, switch off the appliance to prevent electric shock.**

## INSTALLATION INSTRUCTIONS

These instructions address specialised installers and serve as a guide for installation, adjustment and maintenance in conformity with the laws and regulations in force.

If a built-in oven or any other appliance that generates heat must be fitted directly under the glass-ceramic cooktop, THIS APPLIANCE (oven) AND THE GLASS-CERAMIC COOKTOP MUST BE SUITABLY INSULATED in such a way that the heat generated by the oven, measured on the bottom right of the cooktop, does not exceed 60°C. Failure to respect this precaution may determine improper functioning of the TOUCHCONTROL system.

### POSITIONING (Fig.1)

The domestic appliance is designed to be built into a worktop as illustrated in the specific figure. Apply sealant around the entire perimeter (cut-out dimensions Fig.1B).

Fix the domestic appliance on the worktop by means of the 4 brackets provided, taking the thickness of the worktop into account (Fig.1A). If the lower part of the appliance, after installation, is accessible via the lower part of the cabinet then it is necessary to mount a separator panel respecting the distances indicated (Fig.1C). If the appliance is installed with an oven underneath then the separator is not necessary.

### ELECTRICAL CONNECTIONS (Fig.2)

Before making the electrical connections, check that:

- the ground cable is 2 cm longer than the other cables;
- the system ratings meet the ratings indicated on the identification plate fixed on the lower part of the worktop;
- the system is fitted with efficient earthing compliant to the laws and regulations in force.

Earthing is obligatory by law.

If the domestic appliance is not fitted with a cable and/or relevant plug, use material suited to the absorption value indicated on the identification plate and the operating temperature. At no point must the cable reach a temperature 50°C higher than room temperature.

If wishing to make a direct connection to the mains, an omnipolar switch must be interposed with a minimum opening of 3 mm between the contacts and suited to the load indicated on the plate and conform to the regulations in force (the yellow/green ground conductor must not be interrupted by the switch). When the appliance has been installed,

the omnipolar switch must be easily reachable.

## USE AND MAINTENANCE

### MAINTENANCE

Remove any residues of food and drops of grease from the cooking surface using the special scraper supplied on request (Fig.4)

Clean the heated area as thoroughly as possible using SIDOL, STAHLFIX or similar products and a cloth/paper, then rinse with water and dry with a clean cloth.

Using the special scraper (optional) immediately remove any fragments of aluminium and plastic material that have unintentionally melted on the heated cooking area or residues of sugar or food with a high sugar content (Fig.4). In this way, any damage to the cooktop surface is prevented.

Under no circumstances use abrasive sponges or irritating chemical detergents such as oven sprays or stain removers.

### USE

Use the touch control system in the corresponding position relative to the individual cooking needs. Keep in mind that the higher the number, the more heat that it is produced.

### FUNCTIONING (Fig.5)

Press the ON/OFF 11 button to switch on the cooktop. For 10 seconds the display will show a dash. If no cooking zone is switched on within 10 seconds, the hob will automatically switch off.

To switch on the element you intend to use, press the corresponding + or - button within 10 seconds. When the + button is pressed the display will show power level 9, and when the - button is pressed it will show power level 4. After this operation, adjust the temperature with the +/- buttons.

To switch off an element, press the - button until "0" appears. The corresponding LED will switch off after 10 seconds.

You can also switch off an element by pressing simultaneously the + and - buttons.

To switch off the hob, press the ON/OFF button 11. If all of the elements are set to "0", the hob will switch off after 10 seconds.

If an object is placed on the hob control panel or any liquid is spilt (water, milk, etc.) the hob will automatically switch off and the 10 symbol will light up.

If the hob features double zone cooking elements, switch on the second zone by pressing the corresponding 9-7 symbol for 3 seconds. After switching on the second element, adjust the temperature with the +/- buttons.

### Timer (Fig.5)

In addition, the "count-down" function can be used to select cooking time; to do this, press the Timer 8 button and then use the +/- buttons to select the desired time. At the end of the countdown, an acoustic signal will indicate the end of cooking time. Another function available is that of the Timer. To select this function, first select and press the button of the relative cooking zone, then press the timer 8 button once (the display will show the numbers 00). Immediately afterwards, press the Timer button again (the display will show the letter t for the selected cooking zone) and then use the +/- button to select the cooking time (from 1 to 99). Once the cooking time is up, the Timer will automatically switch off the selected cooking zone and an acoustic signal will sound for a few seconds.

**THE MANUFACTURER DECLINES ALL RESPONSIBILITY FOR EVENTUAL DAMAGES CAUSED BY BREACHING THE ABOVE WARNINGS.**